



Laser copy counter

SCATEC-J



Baumer electric is proud to introduce the **SCATEC-J** Laser Copy Counter, a member of the **SCATEC**-family of non-contact laser based sensors, designed to count newspapers, magazines and other printed matter in a lap or shingle stream.

The competitively priced **SCATEC-J** is the perfect sensor for applications with a product thickness of more than 1,5 mm and a counting rate up to 280,000 pieces per hour.

Your benefit!

- **Accurate counting**
*Benefit from the performance of the well-known and successful **SCATEC**-family: The Industry Standard!*
- **Plug and Play**
Nothing to adjust, nothing to align.
- **Easy to mount**
The sensor is mounted parallel to the conveyor.

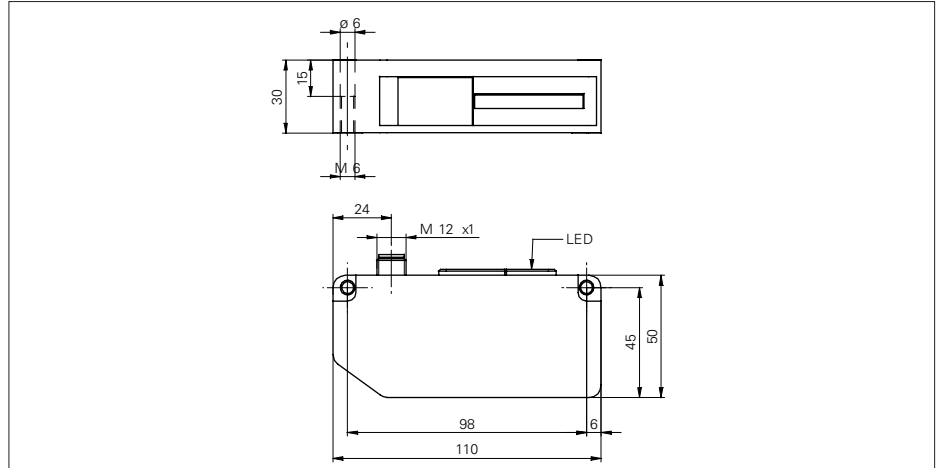
Application hints

Mount the sensor parallel to the conveyor at a distance of 40 mm and plug it in. No further alignment and adjustment needed!

A diagram on the sensor label makes it easy to mount the sensor in the correct orientation towards the lap stream. Only edges facing the laser beam are counted, edges facing away from the laser beam are not detected.

Laser copy counter **SCATEC-J**

FLDK 110G1010/S14



technical data	
measuring range	0...55 mm below the sensor
sensitivity	single sheet detection down to 1,5 mm* are recognized in the range of 30...45 mm below the sensor (* test object: neatly cut, matte white paper)
color insensitivity	multi colored objects like magazines and other printed objects with a color range from black to shiny white are recognized, even if the bright / dark transitions are near to the edge
counting rate	max. 280,000 copies/h
object speed	0...2 m/s
distance between objects	min. 13 mm at speed 1 m/s min. 26 mm at speed 2 m/s
stream condition	folded edge leading, in certain cases also cut edges leading
light source	laserdiode 670 nm, visible red, mean output power < 0,3 mW, laser class 2
voltage supply range +Vs	10 - 30 VDC
ax. supply current	150 mA
output	push - pull
output pulse duration	10 ms
connector	M12 x 1
housing dimensions	110x50x30 mm
housing material	plastic (PBTP)
weight	approx. 130 g
temperature range	0...+50 °C (non condensing)
protection class	IP 54
recommended mounting	parallel to the conveyer belts and 40 mm above them
connection diagram	
laser caution	